



The clean solution



DV 120.2 T

**HOT WATER SANITIZING
TALL HOOD VARIOTRONIC™
DOOR-TYPE DISHWASHER/
UTENSIL WASHER**

Special Features:

- **Tall hood** - 27" (686mm) clearance height accepts taller ware, such as sheet pans, with ease
- **Variotronic™ operation** - Preset cycles have different wash pressures and cycle times. This permits thorough, outstanding cleaning of a variety of ware.
 - Cycle 1: Fine glassware - 7 PSI, 34 racks/hr.
 - Cycle 2: Dishes & glassware - 10 PSI, 54 racks/hr.
 - Cycle 3: Sheet pans, utensils & heavy soil - 15 PSI, 20 racks/hr.
- **Auto Safe temperature control system** - Guarantees 180°F (82°C) sanitizing final rinse temperature, regardless of incoming water temperature
- **MIKE 2 electronic control system** - advanced micro-computer technology for service diagnostics, one-touch operation, one-touch cycle selection, and automatic temperature monitoring with digital display
- **Active Plus filtration system** - Double filtration of wash water removes food soil, improves washing efficiency and saves detergent
- **Soft Start wash pump** - Protects dishes and glasses from breaking
- **Aqua-Stop** - Automatically stops machine operation and turns off the external fill valve if an internal leak is detected
- **Built-in booster heater with power rinse pump** - Guarantees constant final rinse pressure and temperature for consistent, outstanding results

Standard Features:

- Capacity **52** racks per hour
- Water consumption **1.13** gallons (4.28 liters) per rack
- Intelli-Start™ feature automatically starts a cycle when the door is closed if a rack is loaded into the machine
- Fully automatic - automatic fill, automatic start, and automatic reset
- Pumped drain for both floor and wall drain applications
- Machine shutdown activates an automatic rinse of the wash chamber to ease cleaning
- Stainless steel non-clogging wash and rinse arms
- Sloped ceiling is safer for the user and prevents dripping of soiled water onto sanitized ware
- Front mounted controls with digital temperature displays
- Powerful 2 Hp (1.49 kW) wash pump
- 304 and 316L stainless steel construction for corrosion resistance
- Type A air gap system eliminates need for vacuum breaker
- Easily accessible detergent and rinse aid ports for fast and easy chemical dispenser installation
- Field-convertible for use in either straight-through or corner applications

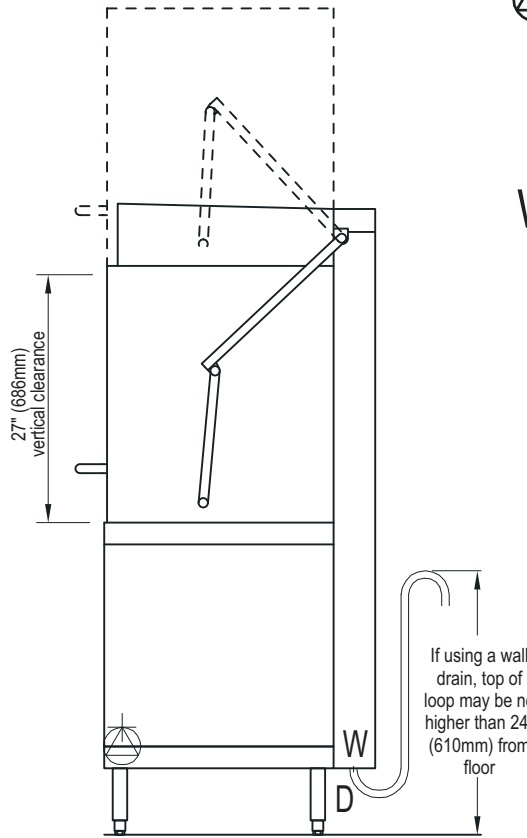
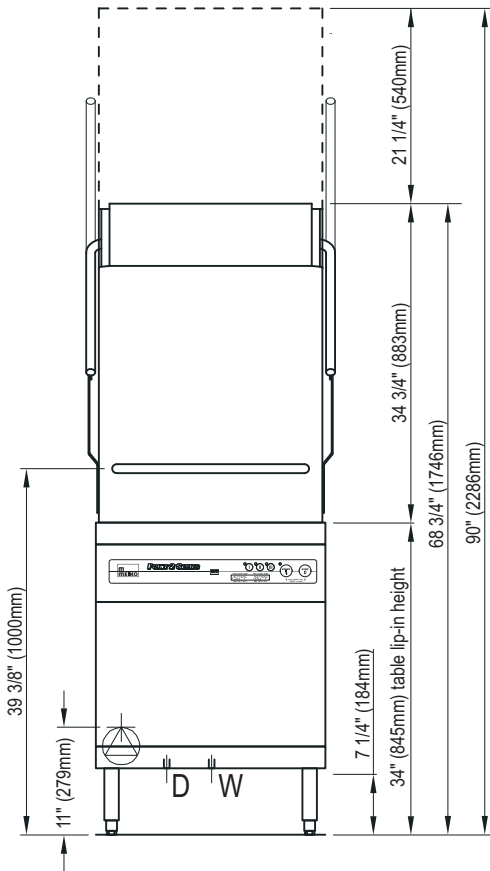
Options:

- Built-in liquid detergent and rinse aid pumps
- Flanged, bolt-down feet
- External vent fan control
- Drain water tempering kit (installed by others)
- Drain water tempering kit (factory-installed)

This dishwasher is compliant with the Reduction of Lead in Drinking Water Act (2011) amendment to the Safe Drinking Water Act (SDWA).



Dimensions



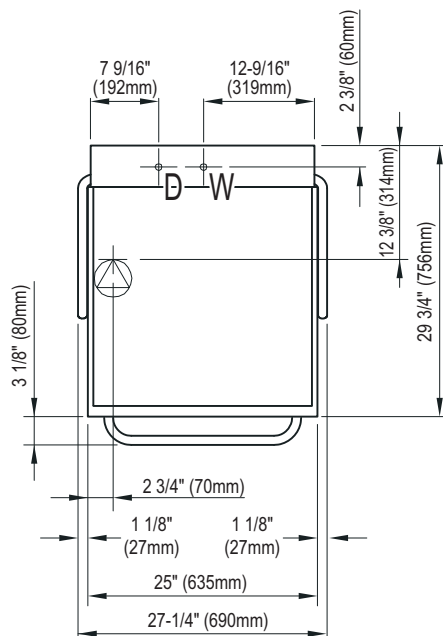
E Electrical terminal block
Strain relief provided at lower rear of machine. Adequate slack in the wiring should be provided to allow the machine to be moved for servicing.



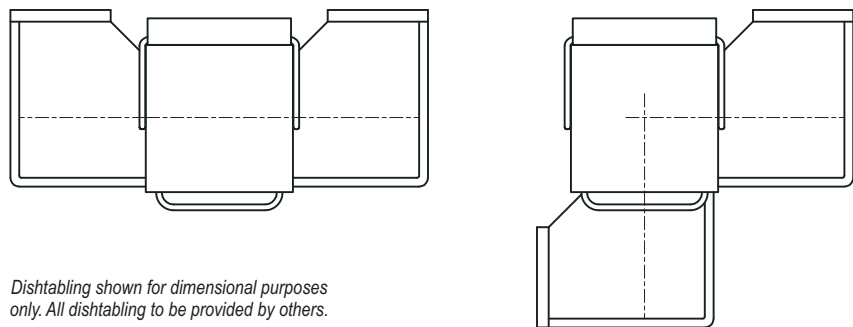
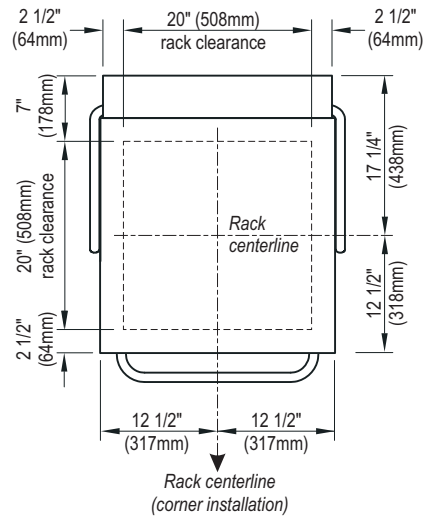
W Fresh water connection
3/4" female garden hose supply connection is provided. If using supplied external Y-strainer, female garden hose adapter may be removed to provide 1/2" NPT male or 3/4" NPT female connection as required. Supplied hose is 4' 7" (2616mm) in length.



D Drain connection
Requires indirect connection to 1-1/2" (38mm) drain pipe (wall or floor). Supplied hose is 4' 7" (2616mm) long and should be cut to appropriate length at time of installation to allow machine to be repositioned for servicing.



Rack Clearances and Table Positioning

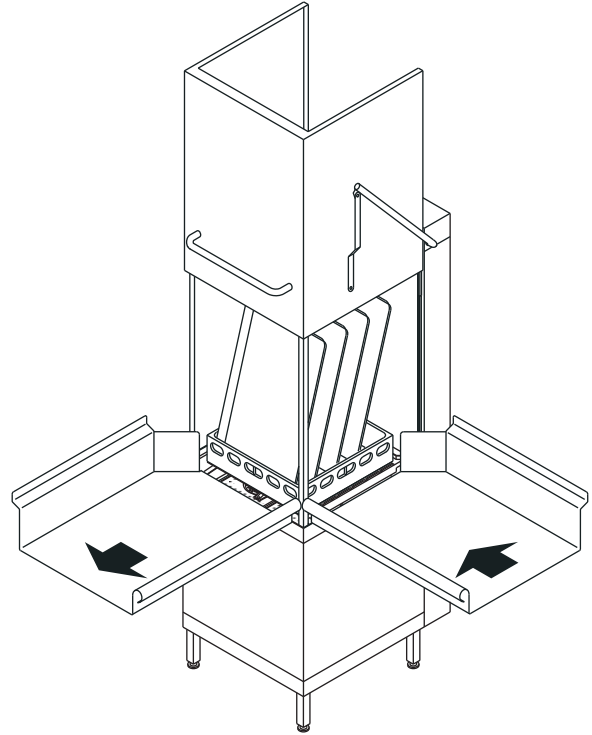
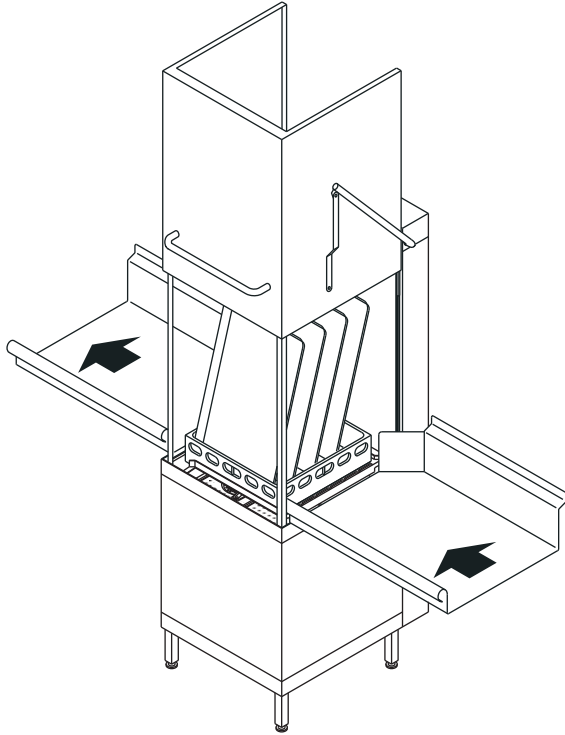


All dimensions from floor +/- 1/2" (13mm) due to adjustable feet.

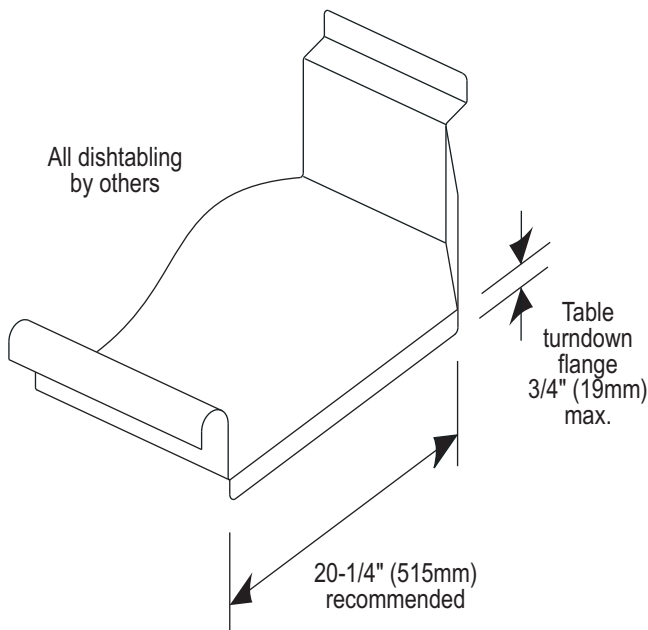
Dishtabling shown for dimensional purposes only. All dishtabling to be provided by others.

Corner Installations

The DV 120.2 T is field-convertible from straight-through to corner application in minutes, without additional parts.

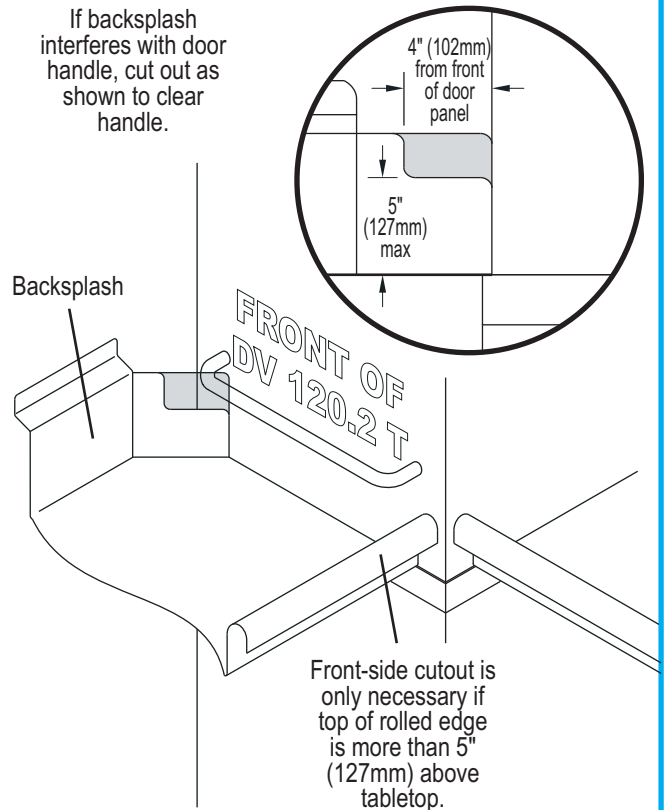


Recommended Tabling Construction



Tabling Cutout for Corner Installations

If backsplash interferes with door handle, cut out as shown to clear handle.



Technical Specifications

Optimum Capacity:

Racks per hour, Cycle 2 (dishes & glassware)	52
• Dishes per hour	1300
• Glasses per hour	1872
Racks per hour, Cycle 1 (fine glassware)	34
Racks per hour, Cycle 3 (sheet pans, utensils & heavy soil)	20

Optimum Cycle Time (Seconds):

Wash Cycle	41
Dwell / Drain Time	18
Rinse Cycle	10
Total Cycle	69

Water Requirements:

Incoming Water Temperature (Optimum)	140°F (60°C)
Recommended Water Hardness	1-6 grains per U.S. gal.
Water Consumption per Rack	1.13 gals. (4.28 liters)
Water Consumption per Hour (max)	58.76 gals. (222.43 liters)
Flow Pressure	8.7-72.5 psi (0.6-5.0 bars)
Incoming Waterline	3/4" garden hose
Drain line size	7/8" ID, 1-1/8" OD flexible hose
Maximum drain flow rate	15 gals. (56.8 liters) per minute

Required Operating Temperatures:

Wash (Minimum)	150°F (66°C)
Rinse (Minimum)	180°F (82°C)

Tank Capacities:

Wash Tank	5.81 gals. (22 liters)
Booster Heater	2.77 gals. (10.5 liters)

Electrical Requirements:

Wash Tank Heat	6 kW		
Booster Heater	9 kW		
Wash Pump	2 HP (1.49 kW)		
Drain Pump	0.09 hp (0.07 kW)		
Electrical supply	Peak load ampacity	Min. supply circuit ampacity	Max. breaker/disconnect
208-230V/60Hz/1 Ph	79.8A @ 208V	110A	110A
	86.0A @ 230V	110A	110A
208-230V/60Hz/3Ph	45.4A @ 208V	70A	70A
	49.0A @ 230V	70A	70A
460V/60Hz/3Ph	31.6A @ 460V	40A	40A

Dimensions:

Overall (W x D x H)	25" x 29-3/4" x 68-3/4" (635 x 756 x 1746mm)
Inside Clearance Height	27" (686mm)
Wall Clearance	Rear 1" (25mm) min.

Machine / Shipping Details:

Shipping Weight	455 lbs. (206.4 kg)
Shipping Size (W x D x H)	45" x 45" x 75" (1143 x 1143 x 1905mm)

This machine may not pass through standard doorways without machine disassembly or doorway modification. Check all dimensions carefully prior to ordering, or contact MEIKO at sales@meiko.us for assistance.

Specification

DV 120.2 T Item Number _____

Unit will be an NSF and ETL-listed MEIKO DV 120.2 T hot water sanitizing door type dishwasher / utensil washer.

Operating voltage will be:

___ 208-230 V / 60 Hz / 1 Ph
___ 208-230 V / 60Hz / 3 Ph
___ 460 V / 60 Hz / 3 Ph

Unit will be equipped with a tall hood to accommodate loading of taller ware, including sheet pans, up to a 27" (686mm) vertical clearance (including rack).

Unit will utilize three user-selectable cycles. Each cycle will adjust the wash water pressure and cycle length to permit thorough washing of pots, pans and utensils as well as fine glassware and normal ware. Standard cycle length for dishes/glassware cycle will be 66 seconds.

Unit will have front mounted microcomputer controls and utilize 1.13 gallons (4.28 liters) fresh rinse water per cycle. Unit will utilize a fresh water pumped rinse for constant rinse pressure and temperature every cycle. Unit will have integral wash tank soil removal system to maintain clean wash water. Unit will have built-in temperature safeguards to guarantee final rinse temperature meets minimum 180°F (82°C) requirement. Wash pump will be equipped with a soft start feature to eliminate chipped and broken dishware. Unit will incorporate features to stop operation and turn off external fill valve if an internal leak is detected.

"Auto Safe" Feature

The DV 120.2 guarantees that the minimum NSF 180°F (82°C) sanitizing final rinse temperature is achieved regardless of the incoming water temperature, even if connected to a cold water line, by automatically extending the wash cycle (if necessary) to provide additional heating time. Listed rack capacity assumes use of recommended 140°F (60°C) water supply. Exact rack capacity is dependent upon the incoming water temperature and on the electrical supply voltage.

VarioTronic™ Feature

Each of the three user-selectable cycles changes the wash pressure in addition to the wash time for optimal results on a variety of ware.



Note: All specifications are subject to change without notice based on MEIKO's dedicated product improvement program.

This dishwasher is compliant with the Reduction of Lead in Drinking Water Act (2011) amendment to the Safe Drinking Water Act (SDWA).

